

**FEATURES :**

- Open frame packages
- Remote On/Off
- Adjustable output voltages
- Operating Temperature:-40°C TO +85°C
- Efficiency up to 95%,Non isolated, no need for heatsink
- Short circuit protection
- Wide input voltage ranges 4.5~14VDC and 10~30 VDC

Specifications typical at TA=25°C, nominal input voltage and rated output current unless otherwise specified

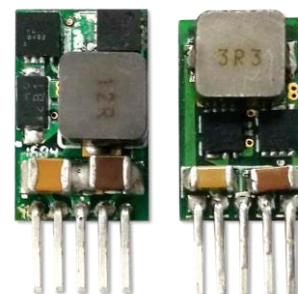
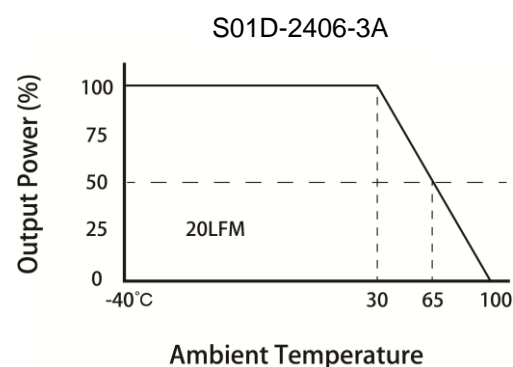
Part Number	Input Range	Output Voltage	Output Current	Efficiency	
	Vdc	Vdc	mA	(%)	Output Voltage (Vdc)
S01D -1206-3A	4.5-14	0.59-6.0	3000	93	3.3
S01D -2406-3A	10-30	3.0-6.0	3000	91	5.0
S01D -2415-3A	10-30	5.0-15	3000	95	12

**Input Specifications**

Parameters	Conditions	Min	Typ	Max	Units
Input Voltage Range	See table	4.5	12	30	V
Internal Input Filter	Capacitors		10		uF
No Load Input Current			30		mA

**Output Specifications**

Parameters	Conditions	Min	Typ	Max	Units
Voltage Tolerance			±2	±3	%
Short Circuit Protection	Hiccup, automatic recovery				
Line Regulation	Vin=min to max at full load		±0.2		%
Load Regulation	0% To 100% F.L.(Vo≥ 2.5V)		±0.8		%
Current Limit			220		%
Ripple & Noise	100% F.L BW=20MHz	60	75	150	mVp-p
Dynamic load response (Recovery time)	50% load step change		120		us
Capacitive load	ESR > 1m ohm			500	uF

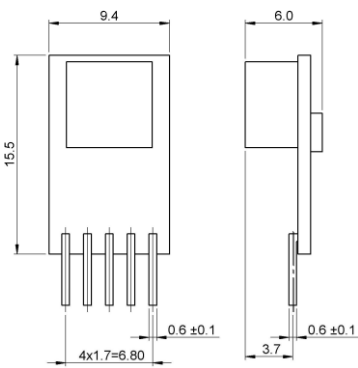
**SCHMID-M****DC-DC Converter****S01D -3A SERIES****Non-Isolated****Single Output****Temperature Derating Graph**

## General Specifications

Parameters	Conditions	Min	Typ	Max	Units
Temperature Coefficient	-40°C ~ +85°C ambient	-1		+1	%/°C
Switching Frequency		270	300	330	KHz
Operating Temperature	With derating	-40		85	°C
Storage Temperature		-55		125	°C
Humidity	Non Condensing	5		95	%
Cooling	Free air Convection				
Case material	Open Frame				
Weight			2		g
Dimensions	S01D-1206-3A		15.5x9.4x6.0		mm
	S01D-2406-3A / S01D-2415-3A		16.5x10.4x6.0		
MTBF(+25°C)	Using MIL-HDBK 217F		4.4x10 <sup>6</sup>		Hours

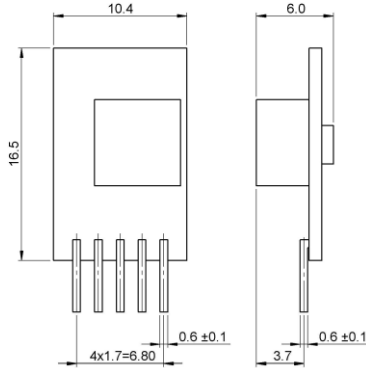
## Markings and dimensions

S01D-1206-3A



Unit : mm  
Tolerance : XX.X ±0.5 , XX.XX ±0.25

S01D-2406-3A / S01D-2415-3A



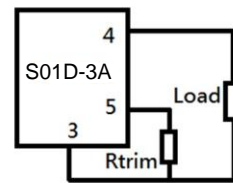
Unit : mm  
Tolerance : XX.X ±0.5 , XX.XX ±0.25

## Part Number

S01D - 24 06 - 3A  
A B C D

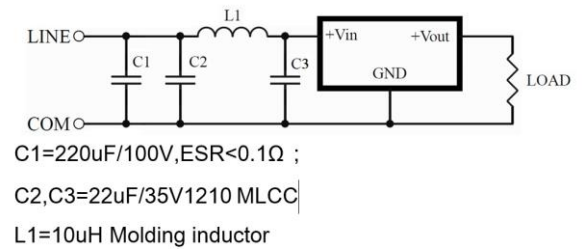
- A : Series
- B : Input Voltage
- C : Maximum Output Voltage
- D : Output Current

## Trim Applications



Part Number	R trim [KΩ]
S01D-1206-3A	1.18/(Vo-0.59)
S01D-2406-3A	11.2/(Vo-3)
S01D-2415-3A	8.4/(Vo-5)

## Recommended Test Circuit Meets EN55032 Class A



## PIN Assignment

Pin	1	2	3	4	5
Function	Remote On/Off	+Vin	GND	+Vout	Trim